

# FLOAT & BOARD TYPE LEVEL GAUGE

SERIES : SC / L - 301

## OPERATIONS

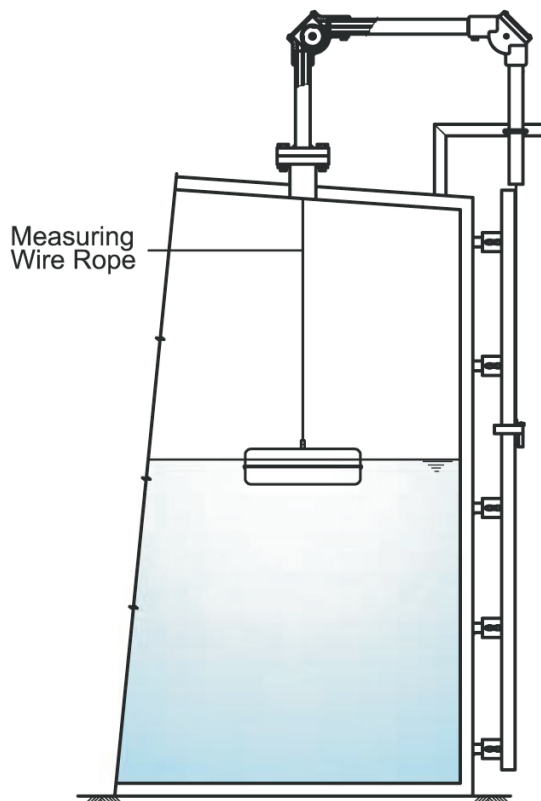
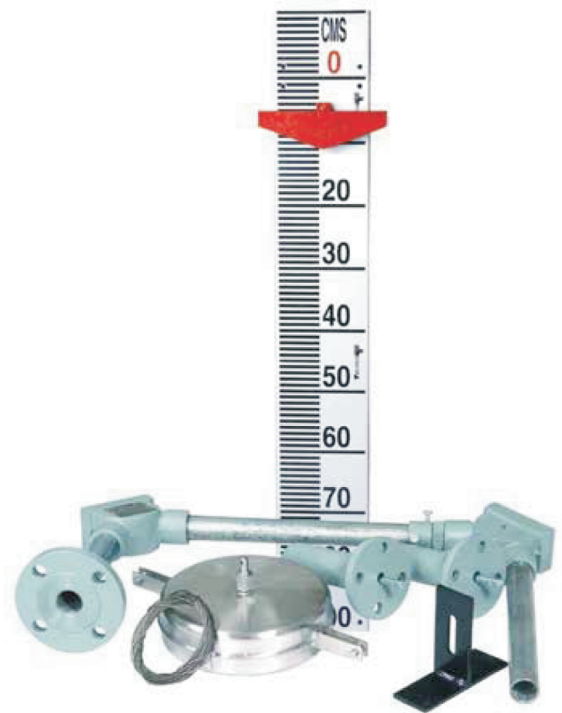
A large float follows the liquid level. a rope attached to it moves over pair of pulleys. Level is indicated by pointer, on 150 mm wide aluminum scale directly.

## SALIENT FEATURES

- Self centering float needs no guide wires.
- Durable Aluminum Powder Coated Gauge Board.
- Gauge Board Markings visible from distance

## TECHNICAL SPECIFICATION

Float	SS 316 / PP / SS with PTFE coated
Pulley	Aluminum / SS 316 / PP
Telescopic Pipe	MS / SS / PVC
Flanges	MS / SS / PP
Anchor Plate	SS 316
Flasteners	GI Plated / SS
Rope	SS 304 / SS 316 / PP
Pulley Housing	Aluminum / PP
Pointer	MS / SS / FRP Coated MS
Anchor Housing	MS / SS 316
Bracket	MS / SS



**SPINK CONTROLS**®

303, SIDDHARTH TOWER, MYNOOMAL PATH, KOPRI, THANE (E) - 400 603 MAHARASHTRA, INDIA  
Fax : +91 22 2532 4845 Phone : +91 22 2532 8223 +91 22 2532 8224

Email : [info@spinkcontrolsindia.com](mailto:info@spinkcontrolsindia.com)