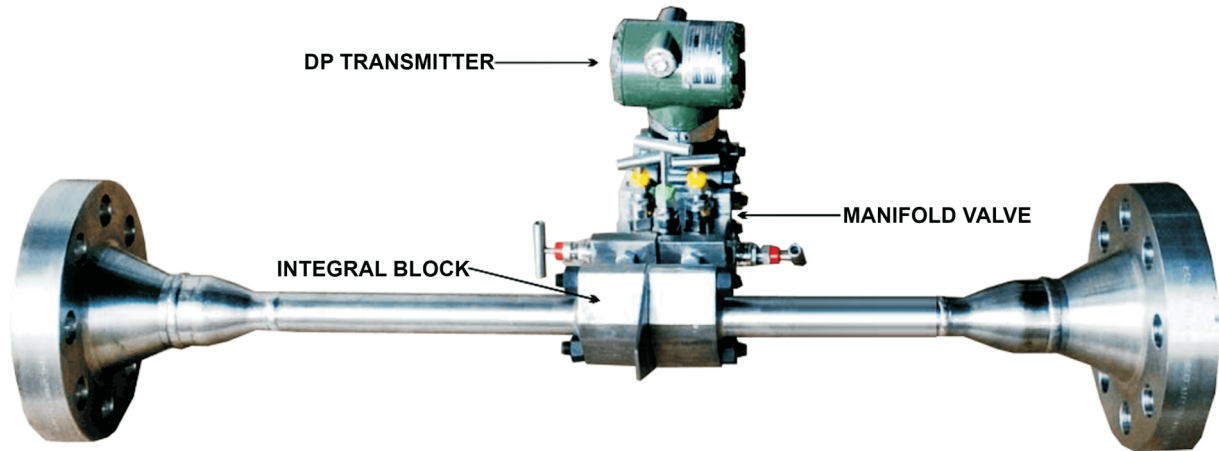


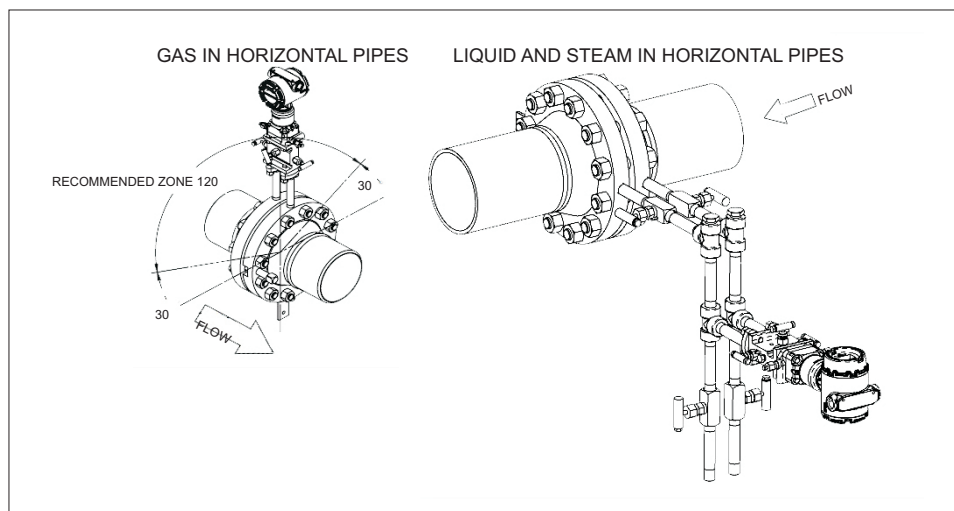
# INTEGRAL ORIFICE PLATE ASSEMBLY

SERIES : SC / R -1100



Spink controls provides economical flow measurement products based on differential pressure principle suitable for the line size of below 2 inch. Integral orifice assembly is a specially designed prefabricated meter used when a high accuracy in flow measurement is required for extremely small flow rates. Bodies with socket-weld or threaded end connections are available.

- Line size : 15 NB – 40 NB
- Material : ANSI 316, ANSI SS 304, MONEL, Hastelloy "C"
- Gasket : PTFE



एन एस आई सी  
**NSIC**  
ISO 9001 : 2008

UDYOG AADHAR  
अधिार  
**MSME**



GEM Seller ID : 8C0F180000397396

**SPINK CONTROLS**®

303, SIDDHARTH TOWER, MYNOOMAL PATH, KOPRI, THANE(E) - 400 603  
MAHARASHTRA, INDIA  
Fax : +91 22 2532 4845 Phone : +91 22 2532 8223 +91 22 2532 8224  
Email : info@spinkcontrolsindia.com